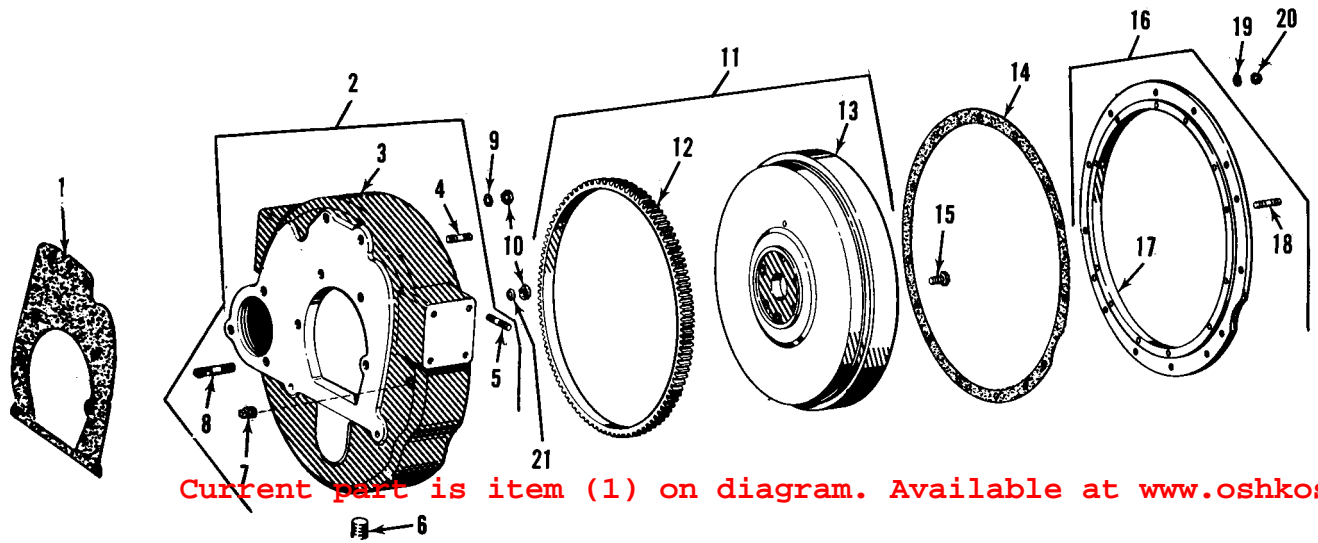


Current part is item (1) on diagram. Available at www.oshkoshequipment.com

(1) SMR Code	(2) Federal Stock Number	DESCRIPTION	UNIT of meas	(4) Qty inc. in Unit	30-day DS maint allowance			30-day GS maint allowance			1-yr aw per 100 equip cnt- gcy	Depot maint aw per 100 equip	Illustration	
					(a) 1-20	(b) 21-50	(c) 51-100	(a) 1-20	(b) 21-50	(c) 51-100			(a) Figure No.	(b) Item No.
		Reference Number & Mfr. Code												
PAHZZ	5315-143-6399	PIN, STRAIGHT, HEADLESS: BEARING CAP 10889883 (19207)	EA	1				*	*	*	*	*	3	36
XAHZZ		CAP, BEARING: MAIN 10889741 (19207)		1									3	37
XAHZZ		CAP, BEARING: MAIN FRONT, INTERMEDIATE 10889732 (19207)		1									3	38
XAHZZ		CAP, BEARING: MAIN, INTERMEDIATE 10889734 (19207)		3									3	39
PAHZZ	5306-851-3505	BOLT, EXTERNALLY RELIEVED BODY: BEARING CAPS 10889722 (19207)	EA	14				*	*	*	*	*	3	40
PAHZZ	5310-899-7890	WASHER, PLAT: BEARING CAPS 10871162 (19207)	EA	14				*	*	*	*	*	3	41
--HZZ		CAP, BEARING: MAIN, THRUST, CENTER 10889733 (19207)		1									3	42
--HZZ		CAP, BEARING: MAIN, REAR 10889740 (19207)		1									3	43
KFHZZ		SEAL: REAR MAIN BEARING CAP, LH 10889726 (19207)	EA	1									3	44
KFHZZ		SEAL: REAR MAIN BEARING CAP, RH 10889725 (19207)	EA	1									3	45
PAFZZ	2815-074-8914	GEAR SET, HELICAL: ENGINE TIMING 5702680 (19207)	EA	1	*	*	*	*	*	*	*	*	-	-
		COMPOSED OF:												
		1-GEAR											3	34
		1-GEAR											6	13
		1-GEAR											17	35
PAFZZ	2815-056-0193	0103-FLYWHEEL ASSEMBLY GASKET: FLYWHEEL HOUSING MTG 10889738 (19207)	EA	1	*	*	*	*	*	*	*	*	4	1
PAFZZ	2815-247-6990	HOUSING ASSEMBLY, FLYWHEEL: 10951000 (19207)	EA	1	*	*	*	*	*	*	*	*	4	2
PBFZZ	2815-247-7011	HOUSING, ENGINE FLYWHEEL: 10951000-1 (19207)	EA	1	*	*	*	*	*	*	*	*	4	3
PAFZZ	5307-935-3695	STUD, PLAIN: ADAPTER TO HOUSING MTG, STD (U/W IRON HOUSING) 7376342 (19207)	EA	13	*	*	*	*	*	*	*	*	4	4
PAFZZ	5307-851-8981	STUD, PLAIN: ADAPTER TO HOUSING MTG 0.003 IN. OVERSIZE (U/W ALUMINUM HOUSING) 10899092 (19207)	EA	13	*	*	*	*	*	*	*	*	4	4
PAFZZ	5307-617-8627	STUD, PLAIN: HOUSING TO ENGINE SUPPORT MTG, STD (U/W IRON HOUSING) 8713947 (19207)	EA	8	*	*	*	*	*	*	*	*	4	5
PAFZZ	5307-851-8980	STUD, PLAIN: HOUSING TO ENGINE SUPPORT MTG, 0.003 IN. OVERSIZE (U/W ALUMINUM HOUSING) 10899088 (19207)	EA	8	*	*	*	*	*	*	*	*	4	5
PAFZZ	4730-278-3380	PLUG, PIPE: HOUSING DRAIN MS49005-10 (96906)	EA	1	*	*	*	*	*	*	*	*	4	6
PAFZZ	4730-044-4655	PLUG, PIPE: FORDING PRESSURE HOLE 444655 (19207)	EA	1	*	*	*	*	*	*	*	*	4	7



Current part is item (1) on diagram. Available at www.oshkoshequipment.com



Current part is item (1) on diagram. Available at www.oshkoshequipm

TA010710

Figure 4. Flywheel Housing and Associated Parts.



Current part is item (1) on diagram. Available at www.oshkoshequipm